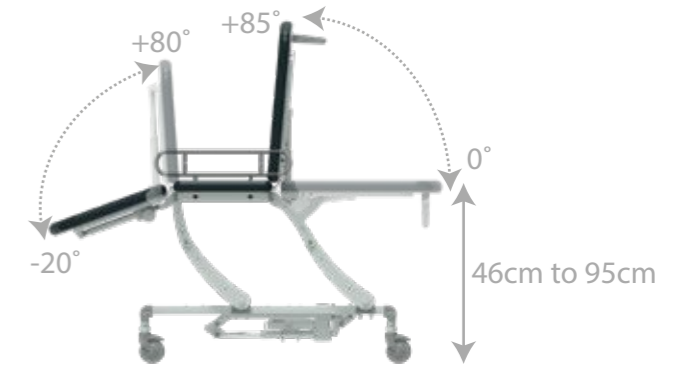


Width  
70cm



## CLINNOVA Mobile 3 Section



Very strong and rigid 3 section mobile treatment couches supplied with side support rails and a paper roll holder as standard. Large Mobile Wheel Design (LMWD) models incorporate central locking castors & steering facility, and the couches have excellent height ranges with a low patient transfer height.

### Models

See Page 2 for all available models

Model NV3670-PRM  
Colour Pepper



### Standard Features

- Safe working load and lifting capacity of 265Kg (583lbs)
- Choice of hydraulic or electric height elevation
- Electric or gas-assisted backrest adjustment from 0° to +85°
- Electric or gas-assisted footrest adjustable from -20° to +80°
- Electric section adjustment on NV3470 & NV3670 (CLS & PRM)
- Electric models raise from low to high in only 15 seconds
- Excellent height range from 46cm to 95cm
- Choice of Individually Braking castors (IBC) or Large Mobile Wheel Design with central locking & steering facility (LMWD)
- Standard with side support rails and paper roll holder
- Purpose made precision bearings on all pivot points
- Anti-bacterial powder coated frame
- Clearance beneath frame for mobile hoist
- 70cm wide Easy Clean Upholstery as standard
- Choice of 15 standard upholstery colours

### Optional Accessories

- 6057** Battery Back-Up
- 6004** Breathing hole & plug
- 6003P** Cushions for side support rails (Pair)
- 6006** Upper limb support
- 6007** Removable head/knee support
- 6054** Telescopic IV pole



Negative head/ foot section to -20°  
Shown with optional breathing hole & plug



Low patient transfer height  
Shown with optional breathing hole & plug

## Models Available



### NV3450-CLS

Hydraulic Elevation  
Gas Assisted Head & Foot Sections  
Independently Braking Castors  
Classic Base (CLS)



### NV3450-PRM

Hydraulic Elevation  
Gas Assisted Head & Foot Sections  
Independently Braking Castors  
Premium Base (PRM)



### NV3460-CLS

Electric Elevation  
Gas Assisted Head & Foot Sections  
Independently Braking Castors  
Classic Base (CLS)



### NV3460-PRM

Electric Elevation  
Gas Assisted Head & Foot Sections  
Independently Braking Castors  
Premium Base (PRM)



### NV3470-CLS

Electric Elevation  
Electric Head & Foot Sections  
Independently Braking Castors  
Classic Base (CLS)



### NV3470-PRM

Electric Elevation  
Electric Head & Foot Sections  
Independently Braking Castors  
Premium Base (PRM)



### NV3650-CLS

Hydraulic Elevation  
Gas Assisted Head & Foot Sections  
Central Locking Castors  
Classic Base (CLS)



### NV3650-PRM

Hydraulic Elevation  
Gas Assisted Head & Foot Sections  
Central Locking Castors  
Premium Base (PRM)



### NV3660-CLS

Electric Elevation  
Gas Assisted Head & Foot Sections  
Central Locking Castors  
Classic Base (CLS)



### NV3660-PRM

Electric Elevation  
Gas Assisted Head & Foot Sections  
Central Locking Castors  
Premium Base (PRM)



### NV3670-CLS

Electric Elevation  
Electric Head & Foot Sections  
Central Locking Castors  
Classic Base (CLS)



### NV3670-PRM

Electric Elevation  
Electric Head & Foot Sections  
Central Locking Castors  
Premium Base (PRM)