

<b>MEDIEPOXI/ MEDINOX</b>	<b>Vertical swing grab bar</b>
---------------------------	--------------------------------



**BG0800 y BG0850**  
White finish



**BG0800C**  
Bright finish



**BG0800CS y BG0850CS**  
Satin finish

### General description

- Safety vertical swing grab bar with a built-in toilet paper holder, made of a 32 mm diameter tube that provides rigid support where it is needed - on one or both sides of the toilet.
- It consists of a "U" shape tube, a paper roll holder and a heavy-duty wall plate, 3 mm thick, with 6 attachment points.
- Safety swing-up position that locks the bar in vertical position, for when not in use, preventing accidental collapse.
- Designed to increase accessibility and safety for people with a variety of disabilities or mobility difficulties, these grab bars are ideal in public handicapped toilets, in private homes, assisted living facilities, hospitals, and nursing homes.
- Optionally, they have a kit to avoid electrical conductivity (code KA0060).
- Wall mounting bolts and screws for brick wall included.

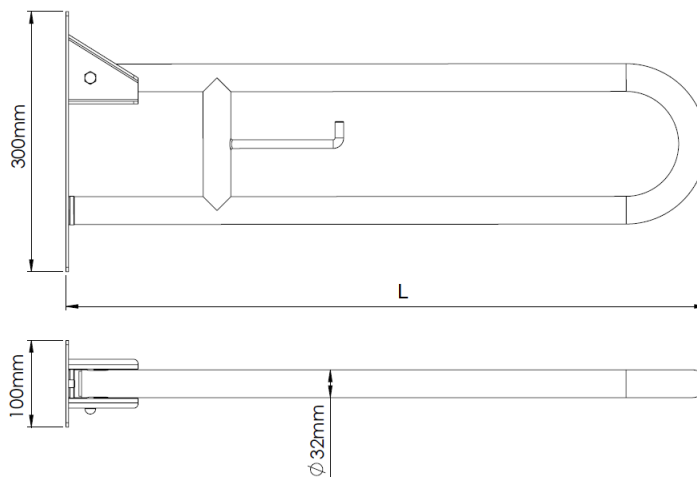
### Components and materials

- **BG0800 and BG0850:** grab bars made of steel tube, white epoxy finish.
- **BG0800C:** grab bar made of AISI 304 stainless steel tube, bright finish.
- **BG0800CS and BG0850CS:** grab bars made of AISI 304 stainless steel tube, satin finish.
- **TUBING:** made of a 32 mm diameter tube, seamless construction. Fixed to the wall plate through two gusset plates and by means of an M8x45 screw, which performs the functions of pivot axis of the swing grab bar. The swinging point is reinforced by means of a double tube.
- **WALL PLATE:** made of a 3 mm thick plate. Two 3 mm thick gusset plates, welded to the plate, perform the function of supporting the pivot axis of the folding bar. The wall mounting plate also has 6 Ø 6.5 mm countersunk holes for fixing the bar to the wall. Compatible with the installation of the Mediclinics' grab bars BG0900.
- **PAPER ROLL DISPENSER:** made of a 10 mm diameter rod and welded to the crosspiece.

### Technical specifications

<b>Dimensions</b>	738 x 300 x 100 mm (BG0800...) 852 x 300 x 100 mm (BG0850...)
<b>Bar diameter</b>	Ø 32 mm
<b>Wall plate thickness</b>	3.0 mm
<b>Gusset plates thickness</b>	3.0 mm
<b>Paper roll dispenser diameter</b>	Ø 10 mm

### Dimensions

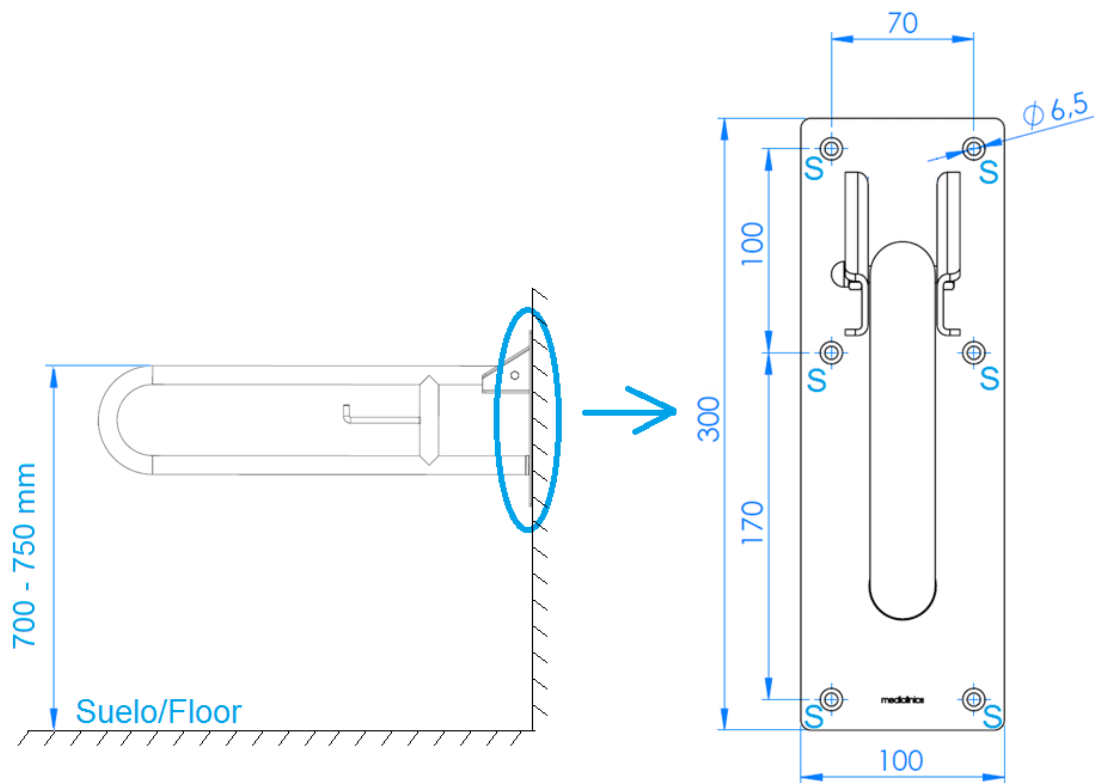


Grab bar code	L (mm)
BG0800	738
BG0850	852
BG0800C	738
BG0800CS	738
BG0850CS	852

Dimensions: ± 4%

## MOUNTING TEMPLATE

Fix the swing-up grab bar to the wall through the 6 holes of the wall plate, using the screws provided and taking into account the distances of the points indicated by an "S" in the following figure:



**It is not recommended to install the Mediepoxy line bars in places where they may be in direct contact with water, in damp and/or chlorinated environments.**

**Mediclinics is not responsible for corrosion that may appear on the bars caused by abrasion on the anchorage points because of an improper installation.**

Mediclinics, S.A., reserves the right to make changes and/or modifications to the products and their specifications without prior notice  
Review 11-18 © mediclinics S.A.

