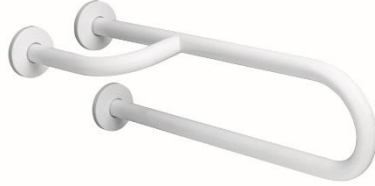


MEDIEPOXY

Wall to wall grab bar with three support points



BFD600
White finish



BFI600
White finish

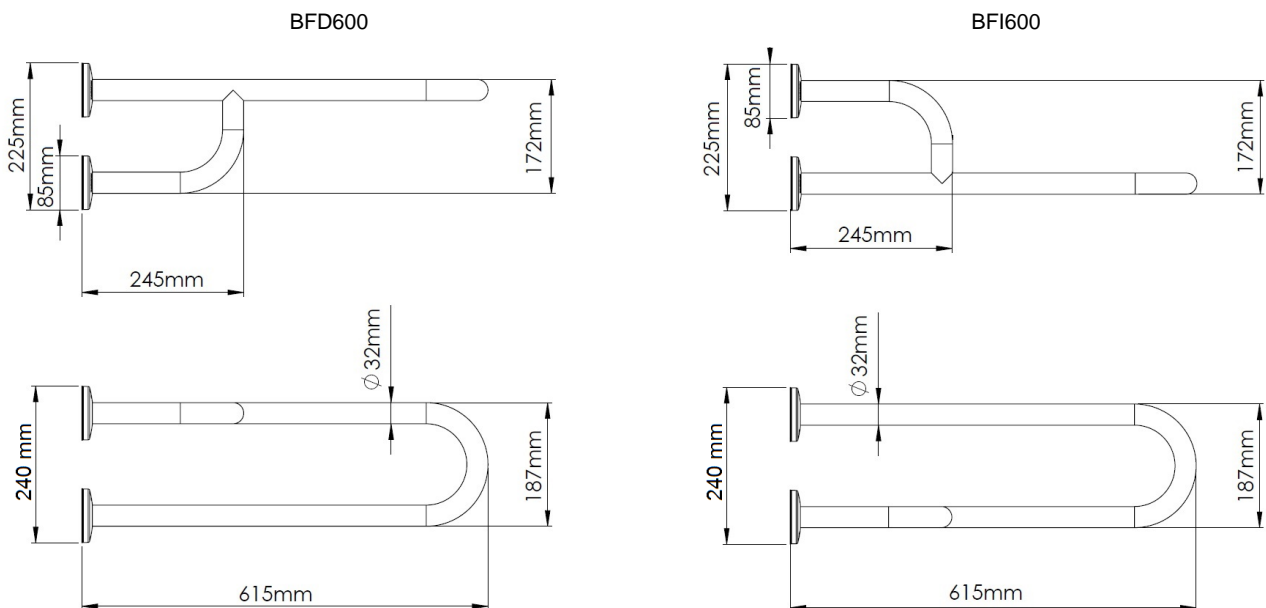
General description

- Wall-mounted steel white grab bar with three support points, made of diameter 32 mm tube, designed for ensuring the safety in the wash basin area, preventing falls throughout this place.
- With white Polypropylene snap flange covers to conceal the screws, designed to snap on easily for a snug fit. They protect the flange surfaces from damage, dust, moisture and foreign particles and help to achieve a beautiful and sleek look, at the same time.
- Suitable for domestic and commercial places to design barrier-free accessibility, enabling access and assisting mobility of people with disabilities, or special needs, helping make their lives easier.
- Optionally, these bars can be electrically isolated by installing the electrical isolation Kit code KA0010.
- Fixing screws for brick walls included.

Components and materials

- **BFD600:** grab bar right hand, made of diameter 32 mm AISI 304 stainless steel tube, white finish.
- **BFI600:** grab bar left hand, made of diameter 32 mm AISI 304 stainless steel tube, white finish.
- **TUBING:** made of 32 mm diameter tube, seamless construction. The bending process guarantees the uniformity of the diameter along the bends.
- **CONCEALED MOUNTING FLANGE:** three units made of steel, 3 mm thick. Incorporates three Ø 6.5 mm screws holes for wall mounting.
- **SNAP FLANGE COVER:** three units made of Polypropylene, 1.5 mm thick and Ø 85 mm. Each cover snaps over mounting flange to conceal mounting screws.

Dimensions



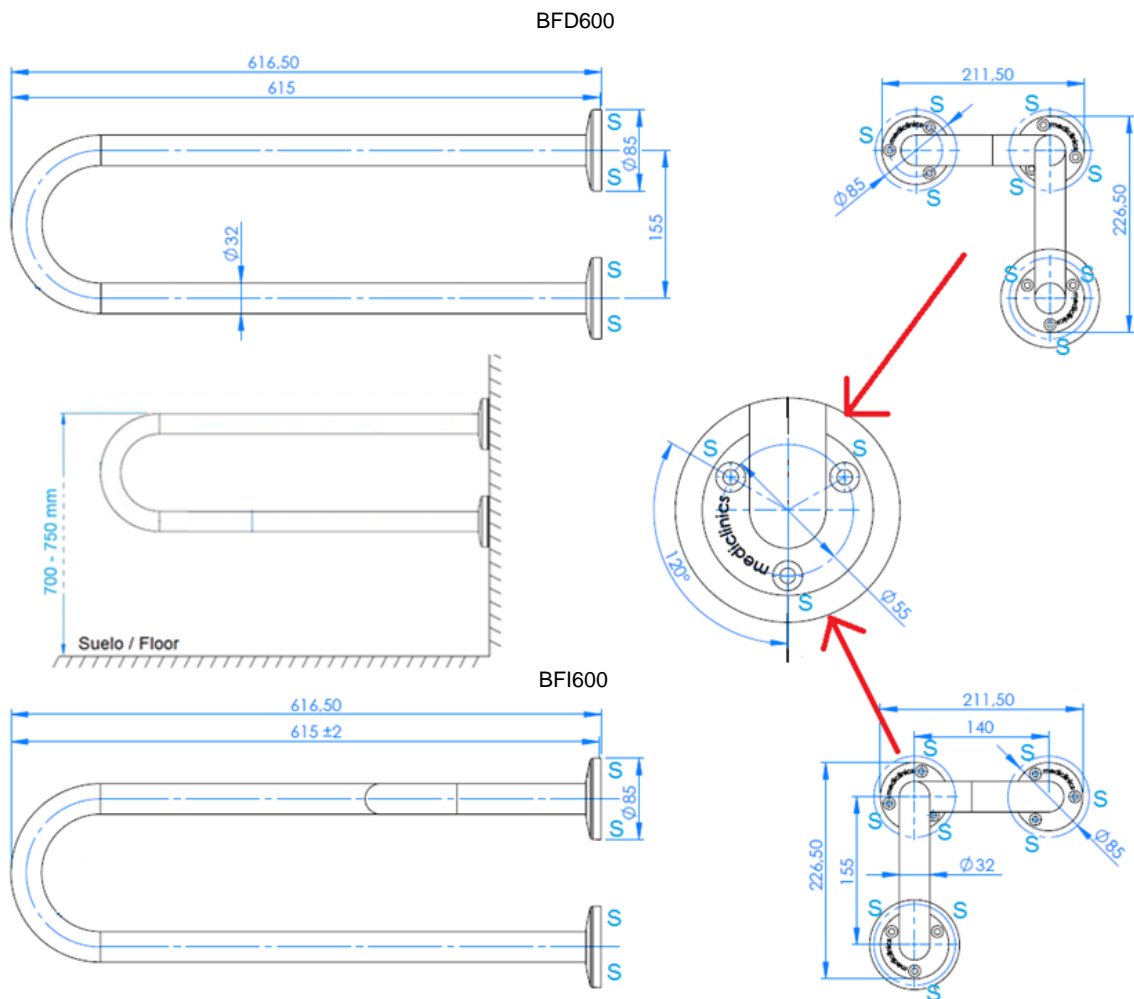
Dimensions: $\pm 4\%$

Technical specifications

Dimensions	615 x 225 x 240 mm
Bar diameter	Ø 32mm
Wall flange thickness	3 mm
Snap flange cover diameter	Ø 85 mm
Snap flange cover thickness	1.5 mm

MOUNTING TEMPLATE

Fix the grab bar to the wall through the 3 holes of the wall flange, using the provided screws and taking into account the distances of the points indicated by an "S" in the following figure:



It is not recommended to install the Mediepoxy line bars in places where the bars will be in direct contact with water, in damp and/or chlorinated environments.

Mediclinics is not responsible for corrosion that may appear on the bars caused by abrasion on the anchorage points because of an improper installation.