



BA0130
White finish



BA0130C
Bright finish



BA0130CS
Satin finish

General description

- 130° angled grab bar made of a 32 mm diameter tube and designed to provide relief and assistance around the bathroom.
- Stylish design making this grab bar ideal for the bathroom and other rooms in the house.
- Unique angled design provides support no matter the position.
- Durable, secure and stable, these grab bars provides confidence and stability when getting in or out of the bath or shower.
- 32mm diameter bar for easier gripping.
- Concealed fixings thanks to their beautiful snap flange covers.
- Optionally, they have a kit to avoid electrical conductivity, code KA0010 for grab bar BA0130 or code KA0020 for grab bars BA0130C and BA0130CS.
- Stainless steel nuts and bolts for masonry walls included.

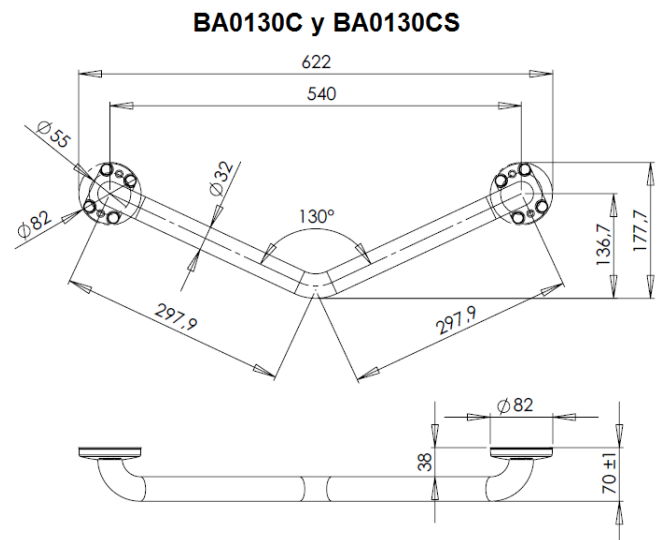
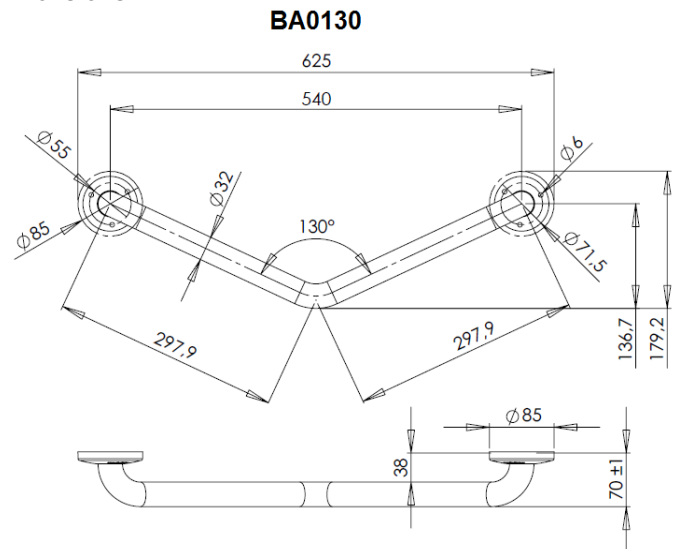
Components and materials

- **BA0130:** grab bar made of steel tube, white epoxy finish.
- **BA0130C:** grab bar made of AISI 304 stainless steel tube, bright finish.
- **BA0130CS:** grab bar made of AISI 304 stainless steel tube, satin finish.
- **TUBING:** made of 32 mm diameter tube, seamless construction. The bending process guarantees the uniformity of the diameter along the bends.
- **CONCEALED MOUNTING FLANGE:** two units made of steel (BA0130) or stainless steel AISI 304 (BA0130C and BA0130CS), 3 mm thick. Incorporates three (BA0130) or two (BA0130C and BA0130CS) screws holes for wall mounting.
- **SNAP FLANGE COVER:** two units made of white Polypropylene, 1.5 mm thick and Ø 85 mm (BA0130) or stainless steel AISI 304, 0.8 mm thick and Ø 82 mm (BA0130C and BA0130CS). Each cover snaps over mounting flange to conceal mounting screws.

Technical specifications

Bar diameter	Ø 32 mm
Wall plate thickness	3,0 mm

Dimensions

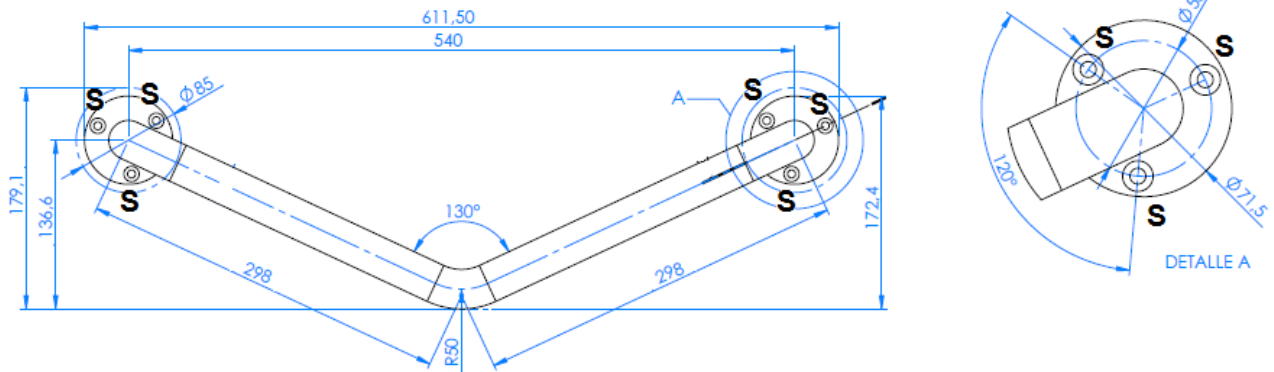


Dimensions: ± 4%

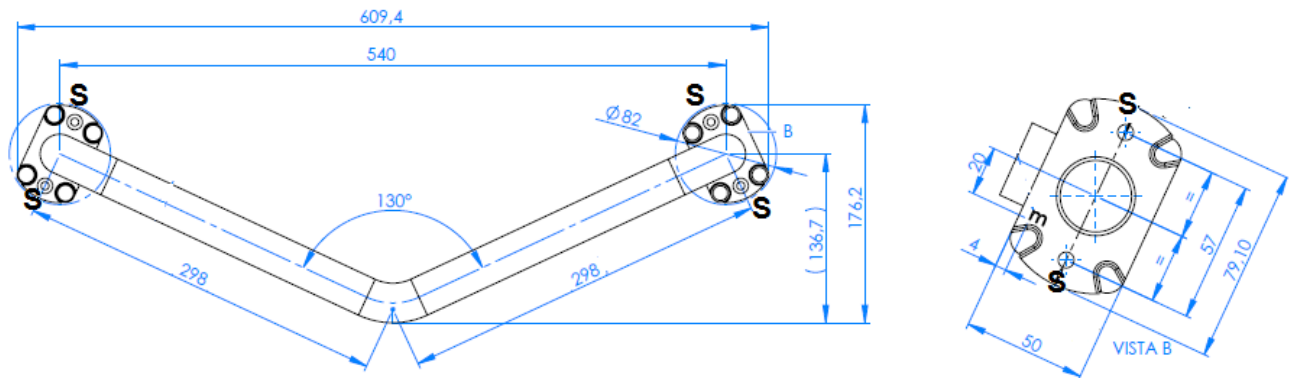
MOUNTING TEMPLATE

Fix the grab bar to the wall through the 3 or 2 holes of the mounting flanges to the wall, using the screws provided and taking into account the distances of the points indicated by an "S" in the following figure:

BA0130



BA0130C y BA0130CS



It is not recommended to install the Mediepoxy line bars in places where the bars will be in direct contact with water, in damp and/or chlorinated environments.

Mediclinics is not responsible for corrosion that may appear on the bars caused by abrasion on the anchorage points because of an improper installation.

Mediclinics, S.A., reserves the right to make changes and/or modifications to the products and their specifications without prior notice
Review 01-19 © mediclinics S.A.

