

MEDINOX SERIES

Toilet brush holders



ES0968C
Bright finish



ES0968CS
Satin finish

General Description

- Toilet brush holder, Stainless steel AISI 304.
- Suitable for wall mounting or floor standing.
- Suitable for the hotel sector, for fitting in the bathroom hotel rooms.
- Model suitable for public use.

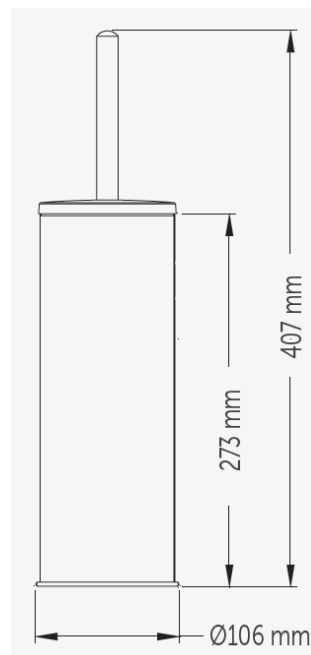
Technical specifications

Body thickness	0,4 mm
Handle thickness	0,4 mm
Cover thickness	0,4 mm
Net weigh	0,42 Kg

Components and materials

- **ES0968C:** Stainless steel AISI 304 body, 0.4 mm thick bright finish. Mounting on the wall means by a flange with two screws.
- **ES0968CS:** Stainless steel AISI 304 body, 0.4 mm thick satin finish. Mounting on the wall means by a flange with two screws.
- **BODY:** Stainless steel AISI 304, 0.4 mm thick, bright or satin finish.
- **HANDLE:** Stainless steel AISI 304, 0.4 mm thick, bright or satin finish.
- **COVER:** Stainless steel AISI 304, 0.4 mm thick, bright or satin finish.
- **BRUSH:** Sisal fiber.

Dimensions



Dimensions: ± 4%