

MEDISTEEL
Facial Tissue Dispenser

AI0985C
Bright finish

AI0985CS
Satin finish

General Description

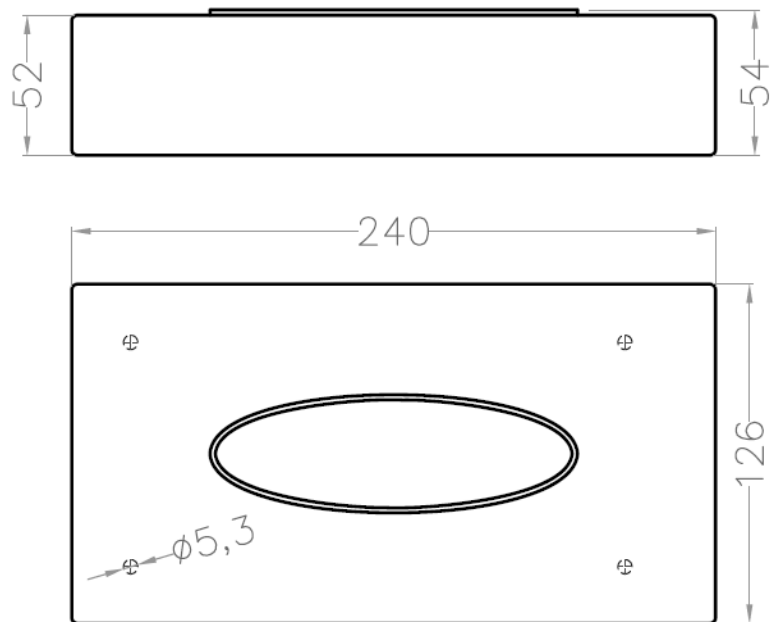
- Surface mounted facial tissue dispenser, made in stainless steel AISI 304, shall hold and dispense 100 facial tissues. Available in bright or satin finish.
- The stainless steel AISI 304 construction protects the product against rust and ensures quality and longevity.
- Towel dispensing slot shall have a fully hemmed-in rolled edge for snag-free dispensing and user safety.
- Model suitable for the hotel sector and for collectivities.

Components & materials

- **AI0985C:** AISI 304 stainless steel, bright finish.
- **AI0985CS:** AISI 304 stainless steel, satin finish.
- **CABINET:** made in stainless steel AISI 304, 0.8 mm thick. All-welded construction. Secured to concealed wall plate with pivot hinges. Capacity: 100 facial tissues.
- **CONCEALED WALL PLATE:** made in stainless steel AISI 304, 0.8 mm thick. It is mounted on the wall with 4 screws.
- Screws and plugs for installation to the wall are provided.

Technical Specifications

General dimensions	<i>54 x 240 x 126 mm</i>
Capacity	<i>100 tissues</i>
Stainless steel thickness	<i>0.8 mm</i>
Net weight	<i>0.42 Kg</i>

Dimensions


Dimensions: ±4%

MOUNTING

Place it directly onto the countertop or mount it on the wall, 940-950 mm from the ground to the top of the dispenser.