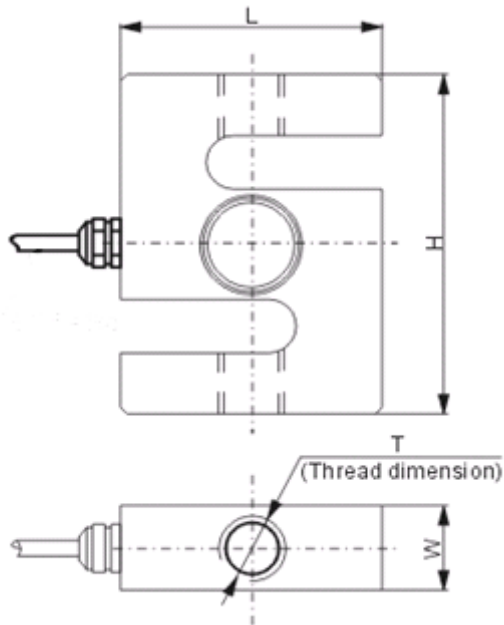
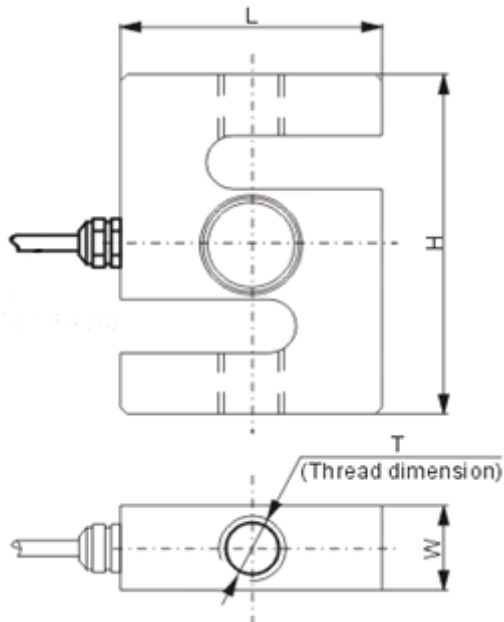


Dimensionen FH externe Kraftmesszellen



Höchstlast	HxLxW	T	Kabellänge
1 kN	76,2x50,8x19,0 mm	M12 x 1,75	Ca. 3m
2 kN	76,2x50,8x19,0 mm	M12 x 1,75	
5 kN	76,2x50,8x28,2 mm	M12 x 1,75	
10 kN	76,2x50,8x28,2 mm	M12 x 1,75	
20 kN	76,2x50,8x28,2 mm	M12 x 1,75	
50 kN	108x76,2x25,4 mm	M18 x 1,5	
100 kN	177,8x125,0x50,8 mm	M30 x 2,0	

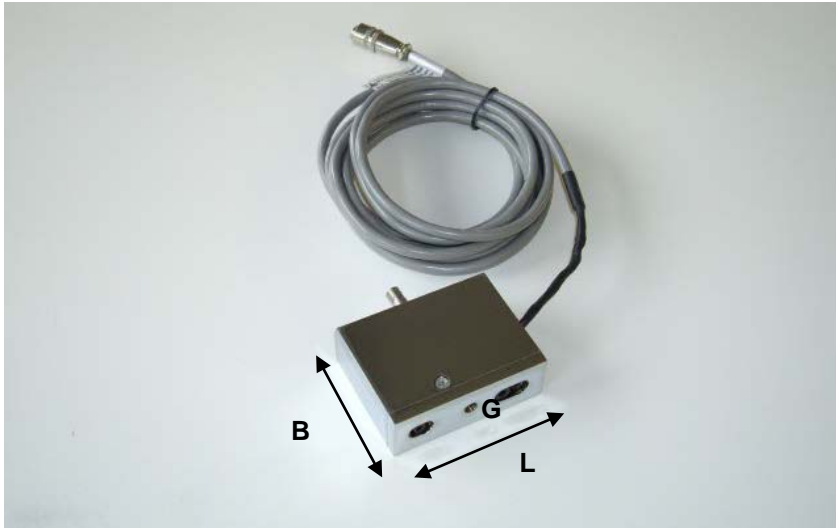
Dimension FH external load cells



Maximum Load	HxLxW	T	Cable length
1 kN	76,2x50,8x19,0 mm	M12 x 1,75	Ca. 3m
2 kN	76,2x50,8x19,0 mm	M12 x 1,75	
5 kN	76,2x50,8x28,2 mm	M12 x 1,75	
10 kN	76,2x50,8x28,2 mm	M12 x 1,75	
20 kN	76,2x50,8x28,2 mm	M12 x 1,75	
50 kN	108x76,2x25,4 mm	M18 x 1,5	
100 kN	177,8x125,0x50,8 mm	M30 x 2,0	

Dimensionen FH externe Kraftmesszellen

FH 10 EXT bis FH 500 EXT



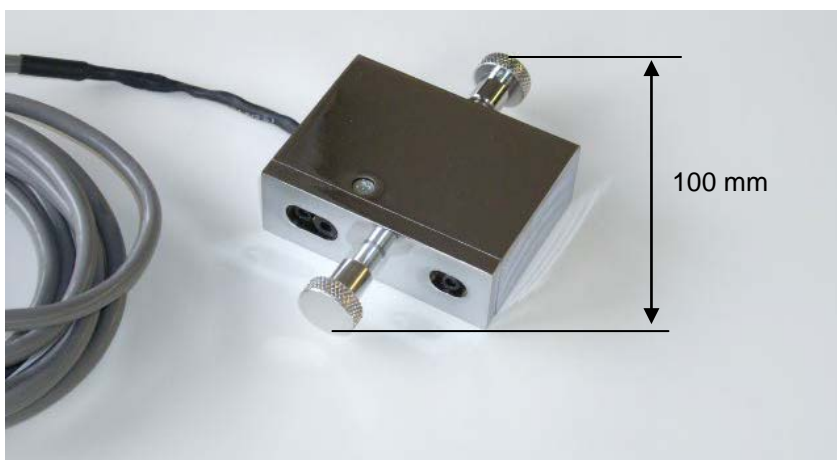
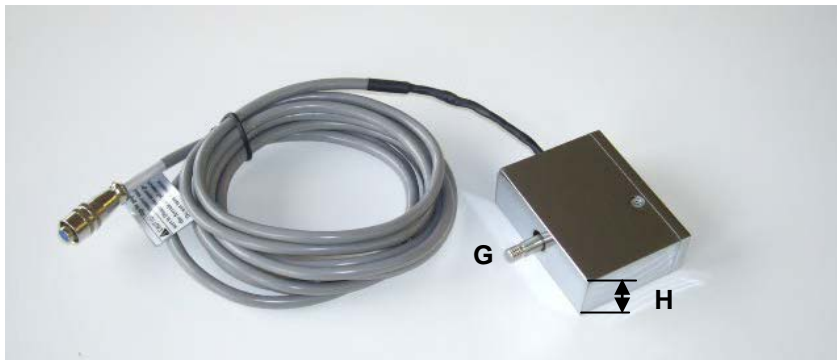
Abmessungen

L x B x H:

76 x 65 x 22 mm

G: Gewinde M6

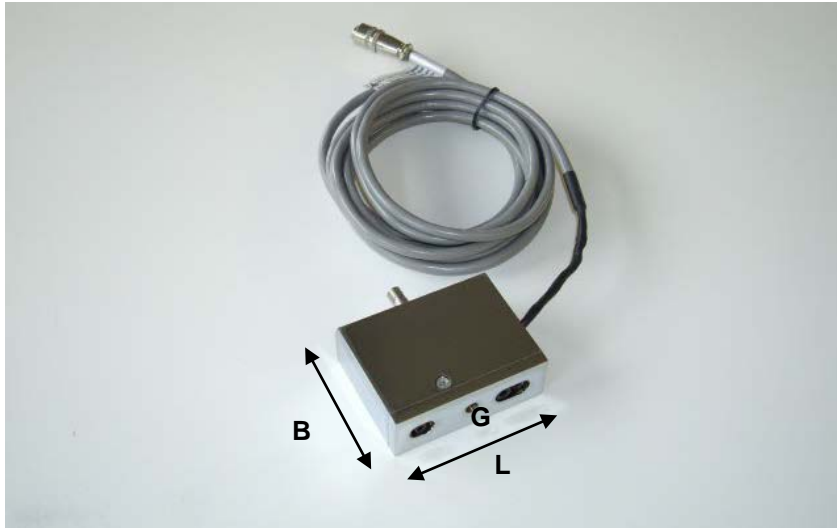
Kabellänge: 2 m



Externer Sensor mit Zubehör für Drucktests.

Dimension FH external load cells

FH 10 EXT to FH 500 EXT



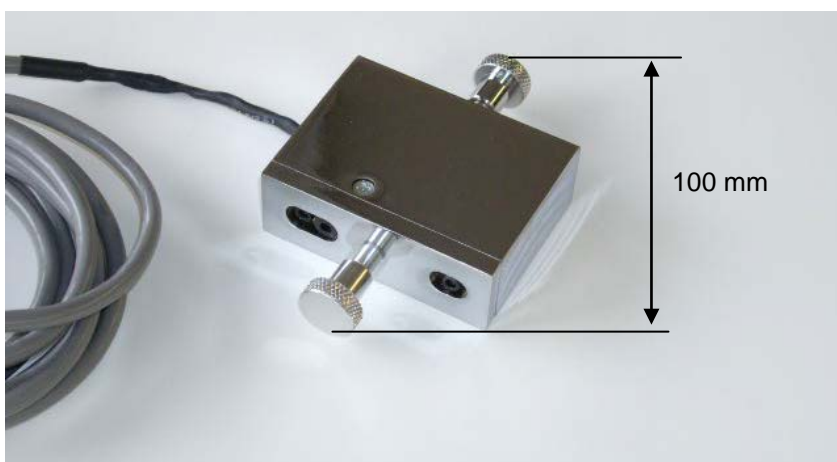
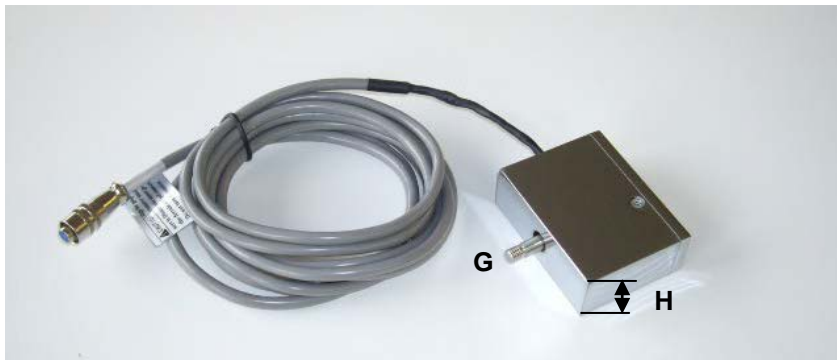
Dimensions of the sensor

L x B x H:

76 x 65 x 22 mm

G: Thread M6

Cable length: 2 m



External sensor with accessories for push tests.